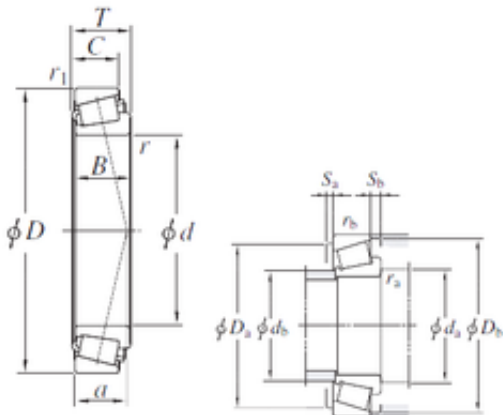




BEARING BOWER CORP.

152,4 mm x 307,975 mm x 93,663 mm SL014916
Bearing 80x110x30mm

Bearing No. EE450601/451212



EE450601/451212 Bearing 2D drawings and 3D CAD models

Size	152.4x307.975x88.9 mm
Bore Diameter	152,4 mm
Outer Diameter	307,975 mm
Width	88,9 mm
d	152,4 mm
D	307,975 mm
T	88,9 mm
B	93,663 mm
C	61,913 mm
a	61,4 mm
r min.	9,5 mm
r1 min.	6,7 mm
da min.	177 mm
Da min	261 mm
Da max.	289 mm
db max.	193 mm
ra max.	9,5 mm
rb max.	6,7 mm
Db	274 mm
Weight	28,1 Kg
Basic dynamic load rating (C)	795 kN
Basic static load rating (C0)	1150 kN
Calculation factor (e)	0,33
Calculation factor (Y0)	1,01