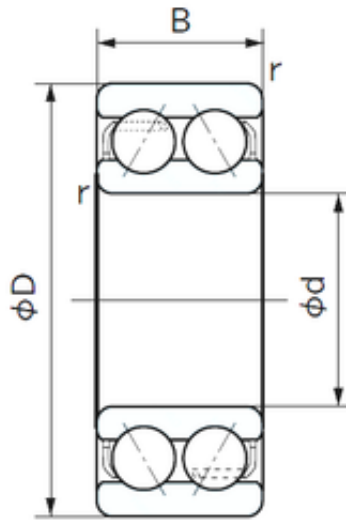




BEARING BOWER CORP.



20 mm x 52 mm x 22.2 mm SL024830 Bearing
150x190x40mm

Bearing No. 5304

5304 Bearing 2D drawings and 3D CAD models

Size	20x52x22.2 mm
Bore Diameter	20 mm
Outer Diameter	52 mm
Width	22.2 mm
d	20 mm
D	52 mm
B	22.2 mm
C	22.2 mm
Angle ()	30 °
r min.	1.1 mm
Weight	0.230 Kg
Basic dynamic load rating (C)	21,7 kN
Basic static load rating (C0)	13,3 kN
(Grease) Lubrication Speed	9000 r/min
Category	Angular Contact Ball Bearings
Inventory	0.0
Manufacturer Name	NACHI
Minimum Buy Quantity	N/A
Weight / Kilogram	0.232
EAN	4991893604108
Product Group	B00152
Enclosure	Open
Flush Ground	No
Rolling Element	Ball Bearing



BEARING BOWER CORP.

Number of Rows of Balls	Double Row
Precision Class	ABEC 1 ISO P0
Maximum Capacity / Filling Slot	No
Snap Ring	No
Cage Material	Steel
Contact Angle	20 Degree
Internal Clearance	C0-Medium
Number of Bearings	1 (Single)
Inch - Metric	Metric
Long Description	20MM Bore; 52MM Outside Diameter; 22.2MM Width; Open; No Flush Ground; Ball Bearing; Double Row of Balls; ABEC 1 ISO P0; No Filling Slot; No Snap Ring
Category	Angular Contact Ball Bearing
UNSPSC	31171531
Harmonized Tariff Code	8482.10.50.28
Noun	Bearing
Keyword String	Angular Contact
Manufacturer URL	http://www.nachi.com
Manufacturer Item Number	5304 BNLS
Weight / LBS	0.51
Outside Diameter	2.047 Inch 52 Millimeter
Width	0.874 Inch 22.2 Millimeter
Bore	0.787 Inch 20 Millimeter
Configuration	Double Row
Bore Type	Cylindrical Bore
Bore Size	20 mm
Fillet Radius/Chamfer	1.1 mm
Dynamic Load Rating	21,700 N
Static Load Rating	13,300 N



BEARING BOWER CORP.

Limiting Speed - Grease	9,000 rpm
Limiting Speed - Oil	11,000 rpm
Radial Clearance	0.005 to 0.020 mm
da	27 mm45 mm
Dx	58.5 mm
ra	1 mm
Cy	3.3 mm