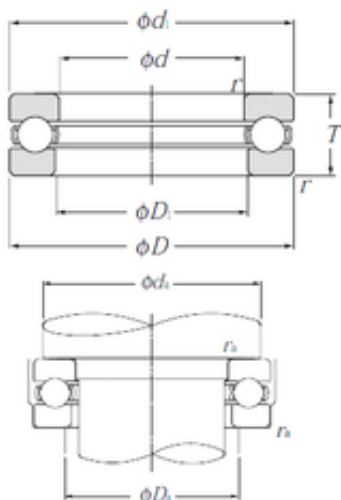




BEARING BOWER CORP.



Bearing Inner Ring Inner Bush LFC3448160

Bearing No. 51317

Size	85x150x49 mm
Bore Diameter	85 mm
Outer Diameter	150 mm
Width	49 mm
d	85 mm
D	150 mm
T	49 mm
d1	150 mm
r min.	1,5 mm
D1	88 mm
da min.	124 mm
Da max.	111 mm
ra max.	1,5 mm
Weight	3,52 Kg
Basic dynamic load rating (C)	201 kN
Basic static load rating (C0)	490 kN
(Grease) Lubrication Speed	1 100 r/min
Category	Thrust Ball Bearing
Inventory	0.0
Manufacturer Name	NTN
Minimum Buy Quantity	N/A
Weight / Kilogram	3.487
EAN	4547359307207
Product Group	B00308
Rolling Element	Ball Bearing
Thrust Bearing	Yes

51317 Bearing 2D drawings and 3D CAD models



BEARING BOWER CORP.

Single or Double Direction	Single Direction
Banded	No
Cage Material	Steel
Precision Class	ABEC 1 ISO P0
Component Description	Roller Assembly Plus Raceways
Other Features	Single Row With Flat Seat
Long Description	85MM Bore 1; 88MM Bore 2; 150MM Outside Diameter; 49MM Height; Ball Bearing; Single Direction; Not Banded; Steel Cage; ABEC 1 ISO P0 Precision
Inch - Metric	Metric
Category	Thrust Ball Bearings
UNSPSC	31171552
Harmonized Tariff Code	8482.10.50.08
Noun	Bearing
Keyword String	Ball Thrust
Manufacturer URL	http://www.ntnamerica.com
Weight / LBS	7.76027
Bore 1	3.346 Inch 85 Millimeter
Height	1.929 Inch 49 Millimeter
Bore 2	3.465 Inch 88 Millimeter
Outside Diameter	5.906 Inch 150 Millimeter
Overall Height with Aligning Washer	0 Inch 0 Millimeter