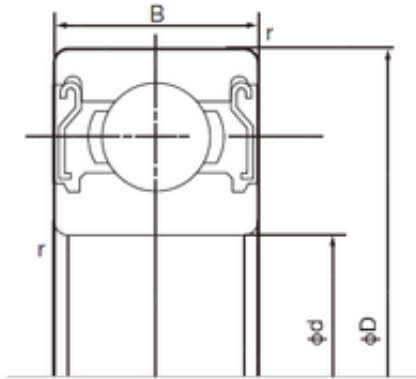




# BEARING BOWER CORP.

## 20 mm x 47 mm x 14 mm 608ZZV1.5-90 Guide Roller Bearing



Bearing No. 6204ZZE

6204ZZE Bearing 2D drawings and 3D CAD models

|                               |                          |
|-------------------------------|--------------------------|
| Size                          | 20x47x14 mm              |
| Bore Diameter                 | 20 mm                    |
| Outer Diameter                | 47 mm                    |
| Width                         | 14 mm                    |
| d                             | 20 mm                    |
| D                             | 47 mm                    |
| B                             | 14 mm                    |
| C                             | 14 mm                    |
| r min.                        | 1.0 mm                   |
| da min.                       | 26 mm                    |
| Da max.                       | 41 mm                    |
| ra max.                       | 1.0 mm                   |
| Weight                        | 0.106 Kg                 |
| Basic dynamic load rating (C) | 12,8 kN                  |
| Basic static load rating (C0) | 6,6 kN                   |
| (Grease) Lubrication Speed    | 14000 r/min              |
| Category                      | Single Row Ball Bearings |
| Inventory                     | 0.0                      |
| Manufacturer Name             | NACHI                    |
| Minimum Buy Quantity          | N/A                      |
| Weight / Kilogram             | 0                        |
| EAN                           | 4991893694857            |
| Product Group                 | B00308                   |
| Enclosure                     | 2 Metal Shields          |
| Precision Class               | ABEC 1   ISO P0          |



## BEARING BOWER CORP.

|                                 |  |
|---------------------------------|--|
| Maximum Capacity / Filling Slot | No   |
| Rolling Element                 | Ball Bearing   |
| Snap Ring                       | No   |
| Internal Special Features       | No   |
| Cage Material                   | Steel  |
| Internal Clearance              | C0-Medium  |
| Inch - Metric                   | Metric   |
| Long Description                | 20MM Bore; 47MM Outside Diameter; 14MM Outer Race Width; 2 Metal Shields; Ball Bearing; ABEC 1   ISO P0; No Filling Slot; No Snap Ring; No Internal Special Features; C0-Medium Internal Clearance; Stee |
| Other Features                  | Deep Groove  |
| Category                        | Single Row Ball Bearing  |
| UNSPSC                          | 31171504   |
| Harmonized Tariff Code          | 8482.10.50.68  |
| Noun                            | Bearing  |
| Keyword String                  | Ball   |
| Manufacturer URL                | <a href="http://www.nachiamerica.com">http://www.nachiamerica.com</a>  |
| Weight / LBS                    | 0.234  |
| Inner Race Width                | 0 Inch   0 Millimeter  |
| Bore                            | 0.787 Inch   20 Millimeter   |
| Outside Diameter                | 1.85 Inch   47 Millimeter  |
| Outer Race Width                | 0.551 Inch   14 Millimeter   |
| Bore Type                       | Cylindrical Bore   |
| Configuration                   | Single Row   |
| Bore Size                       | 20 mm  |
| Width                           | 14 mm  |
| Fillet Radius/Chamfer           | 1 mm   |
|                                 |  |



## BEARING BOWER CORP.

|                         |                   |
|-------------------------|-------------------|
| Dynamic Load Rating     | 12,800 N          |
| Static Load Rating      | 6,600 N           |
| Limiting Speed - Grease | 16,000 rpm        |
| Factor $f_0$            | 13.1              |
| Radial Clearance        | 0.005 to 0.020 mm |
| da (min)                | 26 mm             |
| Da (max)                | 41 mm             |
| ra (max)                | 1 mm              |