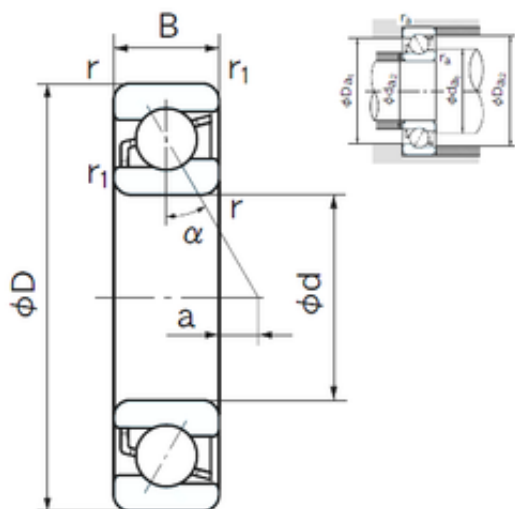




BEARING BOWER CORP.



85 mm x 180 mm x 41 mm 802060M Bearings 650x1030x560mm

Bearing No. 7317

7317 Bearing 2D drawings and 3D CAD models

Size	85x180x41 mm
Bore Diameter	85 mm
Outer Diameter	180 mm
Width	41 mm
d	85 mm
D	180 mm
B	41 mm
C	41 mm
Angle ()	30 °
a	17.7 mm
r min.	3 mm
r1 min.	1.1 mm
da min.	99 mm
Da max.	166 mm
ra max.	2.5 mm
Weight	4.90 Kg
Basic dynamic load rating (C)	159 kN
Basic static load rating (C0)	133 kN
(Grease) Lubrication Speed	3400 r/min
Configuration	Single Row
Enclosure	Open
Bore Type	Cylindrical Bore
Bore Size	85 mm
Outside Diameter	180 mm
Width	41 mm



BEARING BOWER CORP.

Fillet Radius/Chamfer	3 mm
r1	1.1 mm
Dynamic Load Rating	159,000 N
Static Load Rating	133,000 N
Limiting Speed - Grease	3,400 rpm
Limiting Speed - Oil	4,500 rpm
da1 (min)	99 mm
da2 (min)	92 mm
Da1 (max)	166 mm
Da2 (max)	173 mm
ra (max)	2.5 mm
ra1 (max)	1 mm