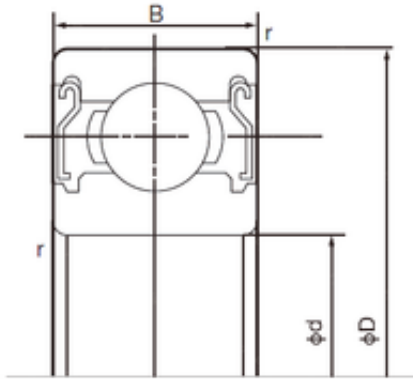




## BEARING BOWER CORP.

### 55 mm x 90 mm x 18 mm FYNT65L Flanged Roller Bearing 65x78x152mm



Bearing No. 6011ZZE

6011ZZE Bearing 2D drawings and 3D CAD models

|                               |                  |
|-------------------------------|------------------|
| Size                          | 55x90x18 mm      |
| Bore Diameter                 | 55 mm            |
| Outer Diameter                | 90 mm            |
| Width                         | 18 mm            |
| d                             | 55 mm            |
| D                             | 90 mm            |
| B                             | 18 mm            |
| C                             | 18 mm            |
| r min.                        | 1.1 mm           |
| da min.                       | 61 mm            |
| Da max.                       | 84 mm            |
| ra max.                       | 1.0 mm           |
| Weight                        | 0.384 Kg         |
| Basic dynamic load rating (C) | 28,3 kN          |
| Basic static load rating (C0) | 21,3 kN          |
| Bore Type                     | Cylindrical Bore |
| Enclosure                     | Double Shield    |
| Configuration                 | Single Row       |
| Bore Size                     | 55 mm            |
| Outside Diameter              | 90 mm            |
| Width                         | 18 mm            |
| Fillet Radius/Chamfer         | 1.1 mm           |
| Dynamic Load Rating           | 28,300 N         |
| Static Load Rating            | 21,300 N         |
| Limiting Speed - Grease       | 7,700 rpm        |



## BEARING BOWER CORP.

|                  |                   |
|------------------|-------------------|
| Factor fo        | 15.4              |
| Radial Clearance | 0.008 to 0.028 mm |
| da (min)         | 61 mm             |
| Da (max)         | 84 mm             |
| ra (max)         | 1 mm              |