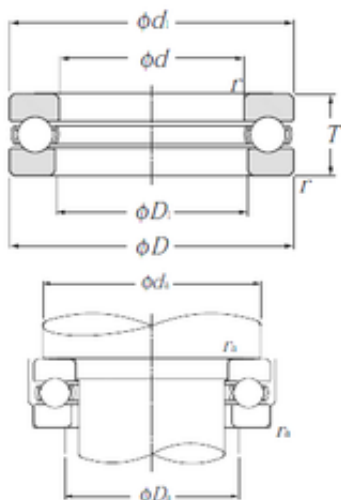




BEARING BOWER CORP.



51328 NTN Thrust Spherical Roller Bearing

Bearing No. 51328

Size	140x240x80 mm
Bore Diameter	140 mm
Outer Diameter	240 mm
Width	80 mm
d	140 mm
D	240 mm
T	80 mm
d1	235 mm
r min.	2,1 mm
D1	144 mm
da min.	199 mm
Da max.	181 mm
ra max.	2 mm
Weight	15,3 Kg
Basic dynamic load rating (C)	350 kN
Basic static load rating (C0)	1 050 kN
(Grease) Lubrication Speed	670 r/min

51328 Bearing 2D drawings and 3D CAD models